

STRADA
Dedacciai

OWNER'S MANUAL



skyline 27,5

Thank you for choosing a DEDACCIAL product.

We in DEDACCIAL develop, manufacture, and constantly test our products in order to maintain the highest standards of quality.

We ask for your collaboration to preserve and correctly use DEDACCIAL components.

To achieve this, we invite you to read these instructions carefully and retain this manual for future use. If you sell your DEDACCIAL frame or components to someone else, please include this manual.

CONTENTS

ENG

1	INDEX	pag. 4
2	USE LIMITS	pag. 4
3	WHAT IS IMPORTANT FOR YOUR SAFETY?	pag. 5
4	THE SKYLINE 27,5 FRAME KIT	pag. 6
5	PARTS AND ASSEMBLING	pag. 9



SKYLINE 27,5

The following manual shows what is important to know about your Dedacciai Strada frame kit you are going to purchase and/or to equip as bicycle

We highly invite you to carefully read it and to periodically check the website www.dedacciaistrada.com in order to be updated regarding further information, new advices, updating review and eventual technical recall due to defective products.

2 USE LIMITS

Frame set respecting rules ISO 4210 – EN 14781

Frame set for bicycles intended for use on roads with smooth surfaces

- Bags or panniers should not be mounted onto the frame
- No passengers should be carried except the rider
- Do not expose the frame to temperatures above 65 °C (150 F)

We highly suggest to equip your Dedacciai Strada frame kit to professional and qualified mechanic official Dedacciai.

Every year, or every 5.000 km, inspect and check-up the frame for the grease operation service, in that occasion it is important to check carefully the frame with particular regards to the connection between head tube and down tube, down tube to bottom bracket. Also inspect carefully the front fork with particular regards to the steering tube.

Before every ride, it is recommended that the entire bicycle is checked, with particular attention to the frame, in order to detect any possible cracks. Suspected cracks should be checked with your local dealer. The areas that require particular attention are the down tube-head tube joint and the seat tube-bottom bracket casing. Furthermore take care of the following listed points:

- Inspect that the fork rotates freely with the common headset tolerance. Check the stem to be correctly tightened to the steering tube.
- Check that the handlebar is tightened to the stem at the suggested Nm.
- Inspect the plate fixing bolts of the stem by checking the correct position and the integrity. Also check that the plate does not show any cracks or abrasions.
- Check the tightening bolts of the stem on the steering tube by checking that they are in the right position, the filets must not have no cracks or abrasions.
- Check the saddle stability on the seat post. If appears irregular movements, before tightening definitely, check further saddle and seat post in order to verify the components integrity.
- Ensure that the seat post is not able to rotate in the seat tube and it dont flex in the frame. If occurred, before tightening the seat clamp, disassemble the seat post and inspect it in order to verify its integrity.

AFTER A FALL OR AN ACCIDENT IT IS REQUIRED TO CHECK DEEPLY ALL THE BICYCLE AND FRAME!

We remind you that composite materials can suffer damage and can de-laminate in hidden areas after an impact or shock. They can break without warning. Both unusual noises and abnormal handling are signs of potential danger! These should not be underestimated. A qualified technician should check the bicycle!

The SKYLINE 27,5" frame is the carbon mountain bike hard tail, compatible with 27,5" wheels. It is created to offer a perfect blend between high pedaling efficiency, quick handling, enhanced comfort and of course the Italian design. The frames/wheels offer improved stability, better traction and a more forgiving ride. These bikes are ideal for fast rides with superior drivability.

Each SKYLINE frame carries a serial number, stamped underneath of the down tube, close to the bottom bracket. The serial number is used for traceability and warranty purposes. Do not remove or grind the number.

4.1 MATERIAL

The SKYLINE uses Toray layer proprietary blend of High Modulus and High Resistance carbon fibres. After various computer simulations and extensive testing we strategically placed High modulus fibres to improve the stiffness and torsional rigidity. On specific frame sections, where a High Modulus fibre would be too brittle, we use High Resistance fibres as a reinforcement, to increase the impact resistance. To save weight we decided to eliminate the cosmetic outer carbon layer, showing only the Unidirectional fibres underneath. The result is a hardtail frame that distributes all loads and stresses in the best possible way to ensure optimal performance and durability.

Used frame materials:

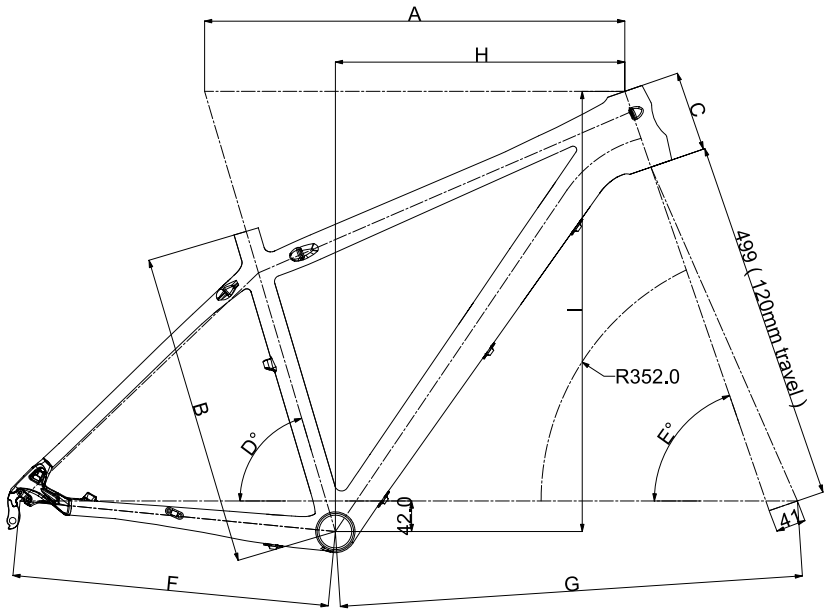
- 40 ton High Modulus & High Resistance Unidirectional Carbon
- 39 ton High Modulus Unidirectional Modulus Carbon
- Stainless steel drop-out

4.2 WEIGHT

- 950 grams for M size in painted conditions
- Dedacciai F-72 of 600 grams in painted conditions

*Weight of painted frame, real weight may differ from the weight mentioned above by $\pm 7\%$

4.3 GEOMETRY

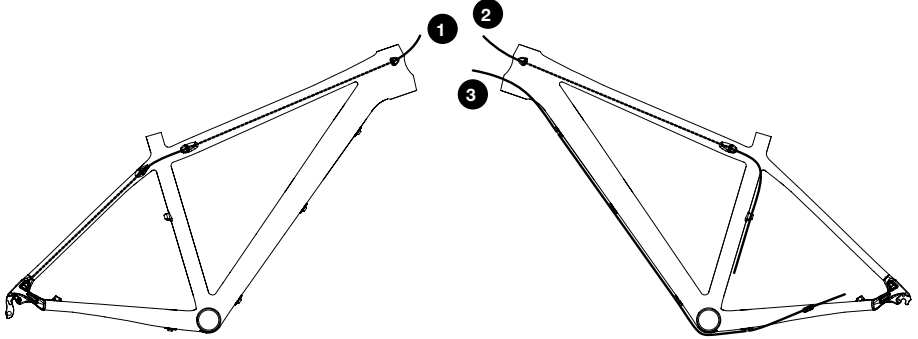


Refer. design	SIZE			
	S	M	L	XL
A	550	575	595	615
B	400	430	480	520
C	100	110	125	130
D	73°	73°	73°	73°
E	71°	71°	71°	71°
F	430	430	430	430
G	603	628	649	669
H	386	398	405	415
I	593	604	619	625

4.4 CABLE ROUTING AND COMPATIBILITY

The SKYLINE 27,5" frame features internal cable routing combining with external and it is compatible with:

- Mechanical drivetrains
- Hydraulic disc brakes



- 1 rear derailleur mechanical cable
- 2 anterior derailleur mechanical cable
- 3 rear brake cable wire

The internal cable routing was specifically designed to improve performance, save weight and get a clean look. By using lightweight internal liners there is no need to run the outer housing inside the frame. People often are surprised to learn that regular cable housing is almost entirely made of steel so this can easily save up to 100g on a complete bike. It's a completely closed system so mud and dirt can't get in. The internal liners also make changing cables very easy without the need for special tools.

The hydraulic rear brake hose runs externally along the downtube, through clip-on style cableguides. This ensures easy maintenance and replacement.

5.1 HEADSET

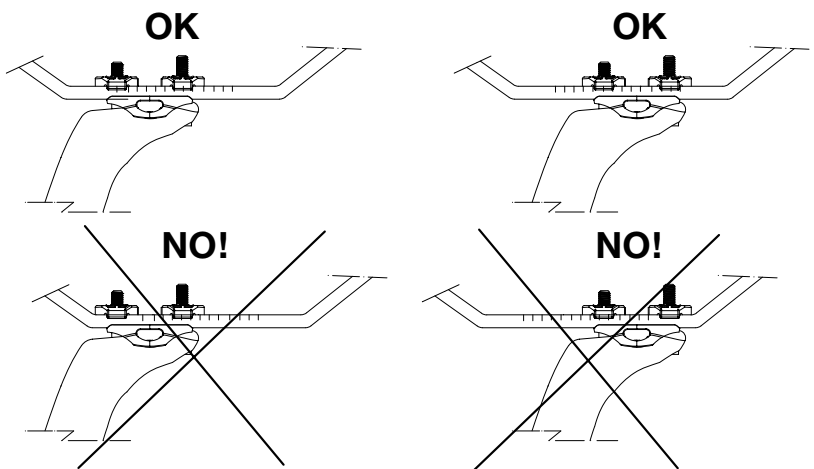
45° Semi oversized angular contact bearing part code n° SSDM20

- Upper bearing: 1 1/8" part code n°MSS118R
- Lower bearing: 1 1/2" part code n°MSS118112R

5.2 SEAT POST EQUIPMENT

The SKYLINE 27,5" frame kit allows seat tube of 31,6 mm diameter. The seat tube has to be insert in the frame for at least 80 mm, or in any case the minimum size shown by the constructor.

Do not exceed the available off-set of the saddle. Saddle and seat post work properly in the middle range. An exaggerated forward position or toward position can generate a supplementary traction on the bolts. In case it needs a different off-set consider to amend the saddle with an improved or modify the existing in the best ergonomic position.



5.3 BOTTOM BRACKET

The bottom bracket is designed for BB92 cups with a diameter of 46 mm and width of 92 mm

5.4 BRAKES

The 27,5" frame is only compatible with disc brakes. There are no rim brake posts. The rear brake caliper is attached to the frame on the left seatstay/drop-out. It uses the postmount standard and has a minimum rotor size of 160mm.

5.5 DERAILLEURS

The frame is compatible with High Clamp / Down Swing front derailleurs with 34,9mm clamp.

Cable routing is bottom pull so please use bottom pull or dual pull front derailleurs only

5.6 HANGER

The SKYLINE 3.ZERO is suitable the canonic QR via the hanger code n°FRCDINTMTB29HF90



5.7 TYRE CLEARANCE

The frame features sufficient clearance for tires up to size 27,5" x 2.4. Big volume tires have low rolling resistance, more grip and better comfort, all resulting in a better ride.



DEDACCIAI reserves the right to partially or totally change products, prices and warranty without notice.



Dedacciai Srl - Via Leonardo da Vinci, 19
26010 Campagnola Cremasca (CR) - Italy
Ph. +39 0373 74 499
info@dedacciaistrada.com
www.dedacciaistrada.com

