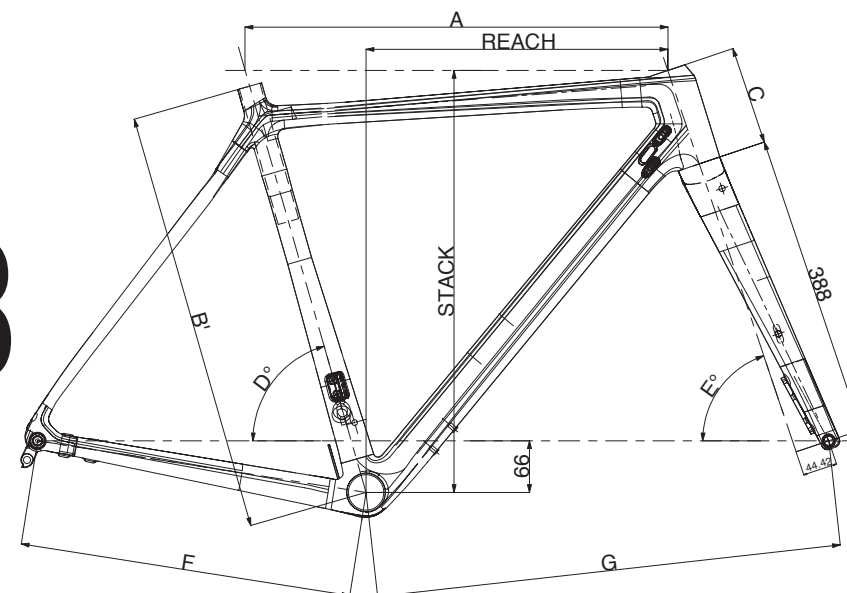


SUPER CROSS DB

Carbon monocoque highest modulus MRC MR 60	weight 1.050 g (size M)	Four sizes S, M, L, XL	Bottom bracket BB86
Inner cables routing for mechanical and electronic devices	Seatpost 27,2 mm	Tapered headtube 1-1/8" - 1-1/2" with integrated headset SSDIFF83	Carbon monocoque F61 fork weight 450 g
Compatible hanger FRCDPP12GTC	Recommended trough axle item number front fork PP12012 - M12*P1.5*125	Recommended trough axle item number rear PP16512 - M12*P1.5*165	



Refer. design	S	M	L	XL
A	520	540	555	570
B1	520	540	560	580
C	110	125	140	150
D	74,5°	74	73,5°	73°
E	71°	71,5°	72	72,5°
F	425	425	425	425
G	582	595	600	605
REACH	375	386	391	397
STACK	522	539	554	566