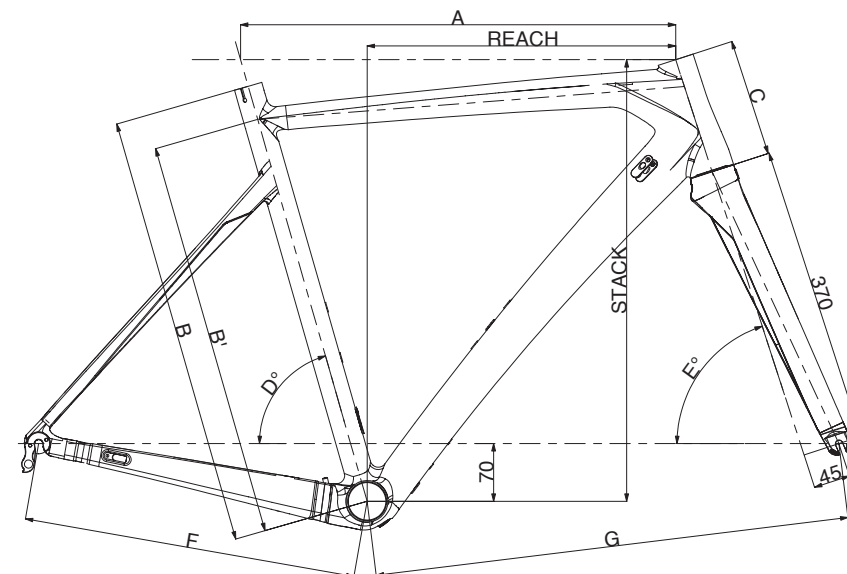


VERTIGINE

Carbon monocoque T700	Frame weight 980 g (size M)	Five sizes XS, S, M, L, XL
Bottom bracket PF30	Inner cables routing for mechanical and electronic devices	Seatpost 31,6 mm
Carbon monocoque F-24 fork weight 380 g	Tapered headtube 1-1/8" – 1-1/2" with integrated headset SSDIFF83	Compatible hanger FRCDINTDR24



Refer. design	SIZE				
	XS	S	M	L	XL
A	505	520	535	555	575
B	475	495	530	545	575t
B1	435	455	490	505	535
C	115	130	145	165	190
D	75°	74,5°	74°	73,5°	73°
E	71,5°	71,5°	72°	72°	73°
F	407	407	410	410	410
G	567	578	584	600	605
REACH	367	374	379	389	395
STACK	516	526	542	561	588